

HANDRAILS, FLOORING & TREADS

HANDRAIL STANDARDS

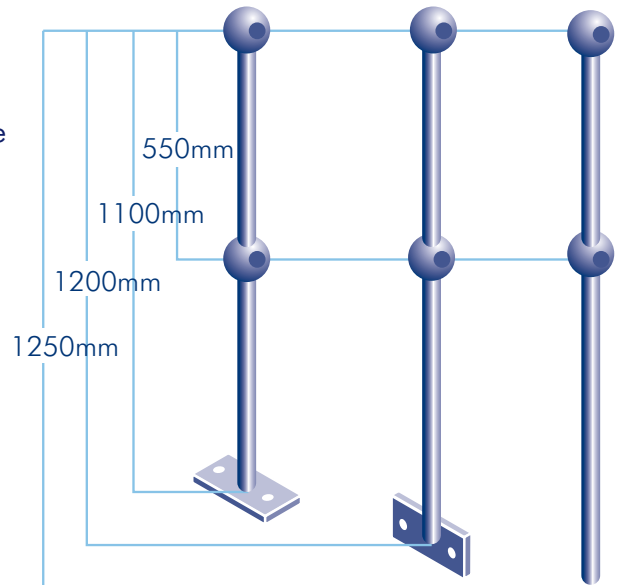
Produced at 550mm centres these handrail ball standards are available in galvanised or self colour finish. Raked handed standards are available at 42 or 38 degrees.

To Suit	Shank	Ball O/D
33.7	42.4	63
42.4	42.4	82
48.3	48.3	82

Self colour tubular ball and solid ball



Tubular Ball		Solid Ball	
To Suit	Ball O/D	To Suit	Ball O/D
33.7	63	33.7	60
42.3	82	42.3	70
48.3	82	42.3	--



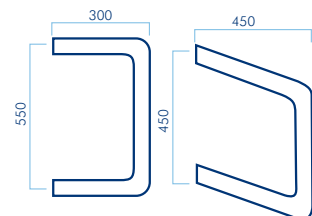
Base Plate

150 x 65 x 12 C/W 2no 18mm holes.



Rail ends and D ends

Available in self colour or galvanised standard 550 centres or made to your specifications from 33.7, 42.7 or 48.3 O/D tube.



ACCESSORIES

Weld Caps

Mild steel smooth finish caps for the finishing of tubes or bollards.

To suit diameter mm	26.9	33.7	42.4	48.3	60.3	76.1	88.9	114.3
Wall thickness mm	3	3	3	3	3	3	3	3



Weld Discs

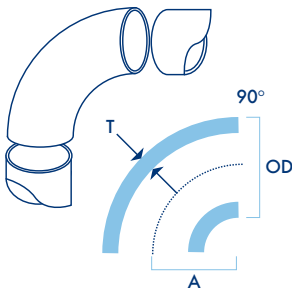
Mild steel weld discs are used to cap off ends of tubes

Disc dia mm	33	42	48	60	76	88	114	141
Thickness mm	3	3	3	5	6	6	6	6



HANDRAILS, FLOORING & TREADS

CHS WELD ELBOWS



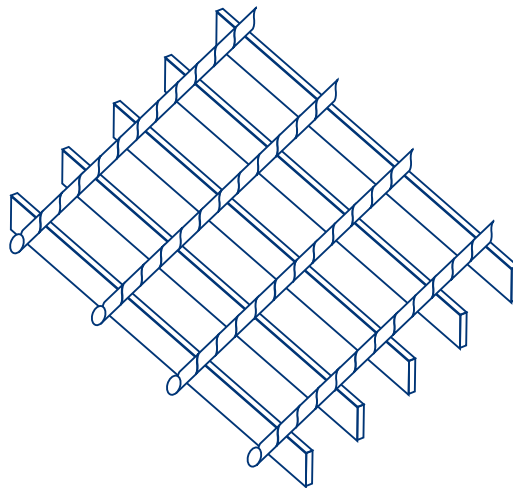
Tube mm	Outside diam mm	Nominal Bore mm	Wall Thickness mm	Radius and centre to face A
21.3	21.3	15	2.00	27.5
26.9	26.9	20	2.30	29.0
33.7	33.7	25	2.60	38.0
42.4	42.4	32	2.60	47.5
48.3	48.3	40	2.60	57.0
60.3	60.3	50	2.90	76.0
76.1	76.1	65	2.90	95.0
88.9	88.9	80	3.20	119.0
114.3	114.3	100	3.60	152.0
139.7	139.7	125	4.00	190.0
168.3	168.3	150	4.00	229.0

OPEN FLOORING

Standard panels

Steel grating or open mesh flooring is available in galvanised or self colour finish. Standard panels are 6000mm x 1000mm.

Loading Bar	Bar Centres mm
25 x 3	41 x 100
25 x 5	41 x 100
30 x 3	41 x 100
30 x 5	41 x 100



Clips

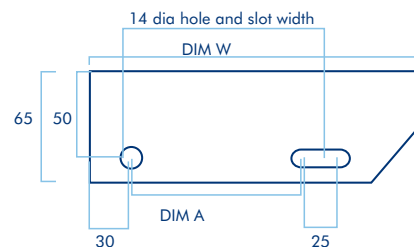
Open flooring clips to retain the panels onto the supporting structure.



OPEN FLOORING TREADS

Open flooring treads are manufactured from standard panels. Used for conventional staircases and mezzanine floors. Can be manufactured to any width.

Loading Bar	Bar Centres mm	Length mm
25 x 5	41 x 100	800



DURBAR PLATE TREADS

Manufactured on site from 3 mm, 4.5 mm or 6 mm chequered plate to your requirements.

